

LMO Series Filter Housings

Accepts 10.2 cm (4 in), 25.4 cm (10 in), 50.8 cm (20 in), or 76.2 cm (30 in) Double Open End Filter Cartridges¹

- Operating pressure to 12.1 bar (175 psig) @ 93°C (200°F) permits use in a wide range of applications
- Cast iron, brass, or 316 stainless steel materials of construction
- In-line inlet and outlet connections for easy installation
- Optional T-handle permits replacement of filter cartridge without tools

Housing Specifications

Maximum operating pressure

12.1 bar (175 psig) @ 93°C (200°F)

NOTE: Maximum operating pressure ratings are vessel ratings only. Safe operating temperature and pressure will depend on filter cartridge and gasket/O-ring used. For inquiries on compatibility, contact the factory or your Pall distributor.

Construction	Head	Shell
LMO:	Cast iron ²	316 stainless steel
LMOB:	Cast brass	316 stainless steel
LMOS:	Cast 316 stainless steel	316 stainless steel

Connections

Inlet/Outlet:	$\frac{3}{8}$ ", $\frac{1}{2}$ ", $\frac{3}{4}$ ", or 1" NPT
Drain:	LMO: Drain plug, 316 stainless steel, $\frac{1}{4}$ " NPT
	LMOB: Petcock, brass, $\frac{1}{4}$ " NPT
	LMOS: Drain plug, 316 stainless steel, $\frac{1}{4}$ " NPT

Shell O-rings Ethylene propylene (standard), nitrile, FEP, fluorocarbon elastomer, neoprene, silicone elastomer

Cover nut O-ring FEP (standard)



Bracket option

Nickel plated steel brackets are available as a standard option.

T-Handle option

T-handle cover nuts are available in carbon steel or 316 stainless steel. Standard units are supplied with hex nuts.

Flange option

150 lb. ANSI raised face flanges are available for $\frac{1}{2}$ ", $\frac{3}{4}$ " and 1" LMOS stainless units only.

NOTE: Non-compressible filters such as pleated, carbon, and membrane cartridges are not recommended for use with this housing. Pall's LMO Spring Seal housings and LMO Vari-Seal™ housings are designed to accommodate non-compressible filter cartridges. For metallic filter cartridges use the LMO Vari-Seal housings only.

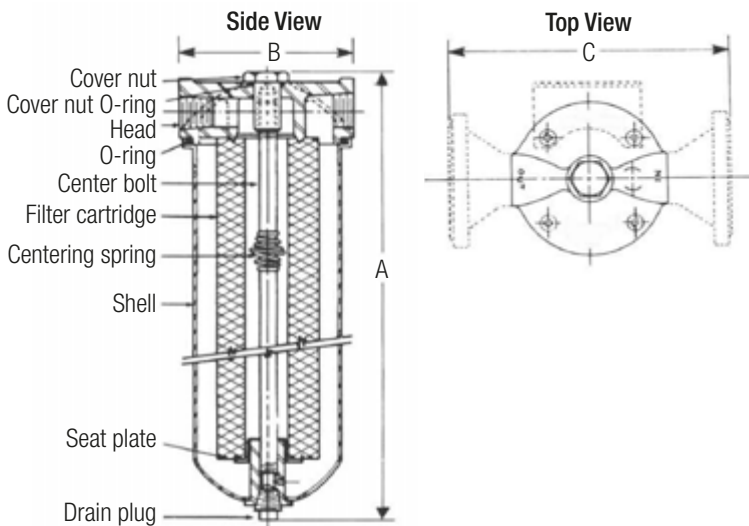
¹ When fitting with 10.2 cm (4 in) DOE filters, please order filters under Code 550 to assure proper fit.

² Painted exterior.

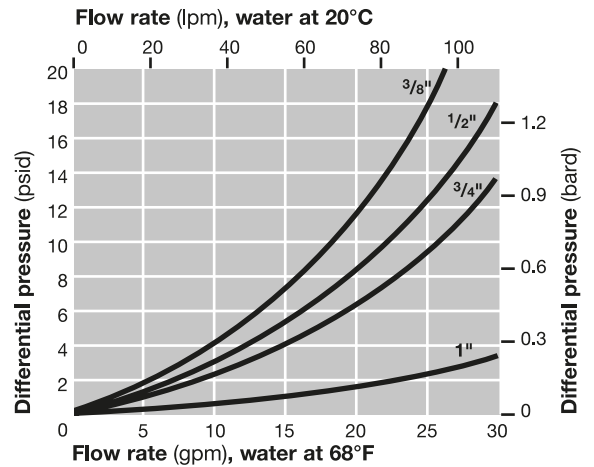
Dimensional Data (nominal)

Model	Flow Rate ³ lpm (gpm)	Dimensions cm (in)			Weight kg (lb)
		A	B	C	
LMO4 - 3/8"	to 15.1 (4)	18.4 (7.25)	12.1 (4.75)	-	1.3 (2.75)
LMO10 - 3/8"	to 37.9 (10)	39.3 (13.5)	12.1 (4.75)	-	2.7 (6)
LMO10 - 1/2"	to 37.9 (10)	39.3 (13.5)	12.1 (4.75)	-	2.8 (6.25)
LMO10 - 3/4"	to 37.9 (10)	39.3 (13.5)	12.1 (4.75)	-	2.8 (6.25)
LMO10 - 1"	to 37.9 (10)	39.3 (13.5)	12.1 (4.75)	-	3.1 (6.75)
LMO20 - 3/8"	to 75.7 (20)	59.4 (23.375)	12.1 (4.75)	-	3.9 (8.5)
LMO20 - 1"	to 75.7 (20)	59.4 (23.375)	12.1 (4.75)	-	4.1 (9)
LMO4B - 3/8"	to 15.1 (4)	20 (7.875)	12.1 (4.75)	-	1.3 (2.75)
LMO10B - 3/8"	to 37.9 (10)	35.6 (14)	12.1 (4.75)	-	2.7 (6)
LMO10B - 1/2"	to 37.9 (10)	35.6 (14)	12.1 (4.75)	-	2.8 (6.25)
LMO10B - 3/4"	to 37.9 (10)	35.6 (14)	12.1 (4.75)	-	2.8 (6.25)
LMO10B - 1"	to 37.9 (10)	35.6 (14)	12.1 (4.75)	-	3.1 (6.75)
LMO20B - 3/8"	to 75.7 (20)	61.3 (24.125)	12.1 (4.75)	-	3.9 (8.5)
LMO20B - 1"	to 75.7 (20)	61.3 (24.125)	12.1 (4.75)	-	4.1 (9)
LMO30B - 3/8"	to 113.6 (30)	86.4 (34)	12.1 (4.75)	-	4.5 (10)
LMO30B - 1"	to 113.6 (30)	86.4 (34)	12.1 (4.75)	-	4.8 (10.5)
LMO4S - 1/2"	to 15.1 (4)	18.4 (7.25)	12.1 (4.75)	-	1.8 (4)
LMO10S - 1/2"	to 37.9 (10)	34.3 (13.5)	12.1 (4.75)	-	2.8 (6.25)
LMO10S - 3/4"	to 37.9 (10)	34.3 (13.5)	12.1 (4.75)	22.5 (8.875)	2.8 (6.25)
LMO10S - 1"	to 37.9 (10)	34.3 (13.5)	12.1 (4.75)	23.2 (9.125)	3.1 (6.75)
LMO20S - 3/8"	to 75.7 (20)	59.7 (23.5)	12.1 (4.75)	22.5 (8.875)	3.9 (8.5)
LMO20S - 1"	to 75.7 (20)	59.7 (23.5)	12.1 (4.75)	23.2 (9.125)	4.1 (9)
LMO30S - 3/8"	to 113.6 (30)	85.1 (33.5)	12.1 (4.75)	22.5 (8.875)	4.5 (10)

³ Dependent upon cartridge selection, fluid viscosity and allowable pressure drop at various flow rates. Refer to cartridge nomograph to determine initial pressure drop of filter cartridge.

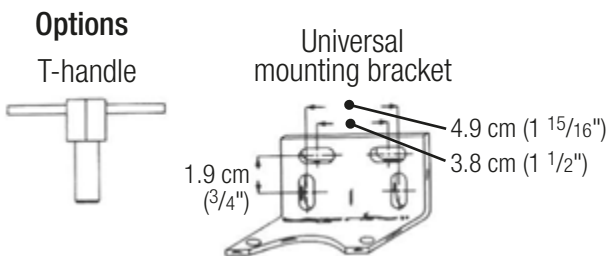


Housing Differential Pressure vs. Liquid Flow Rate



Unit Conversion: 1 bar = 100 kPa

For liquids other than water, multiply differential pressure by specific gravity.



Ordering Information

Pall Part Number = LMO 1 2 - 3 4

Table 1

Code	Cartridge lengths (cm/in)
4 ¹	10.2/4
10	25.4/10
20	50.8/20
30 ⁴	76.2/30

Table 2

Code	Materials of construction
Blank	Cast iron and 316 stainless steel
B	Cast brass and 316 stainless steel
S	316 stainless steel

⁴ NOT AVAILABLE with cast iron head and carbon shell.

Table 3

Code	Connection sizes
$\frac{3}{8}$	$\frac{3}{8}$ "
$\frac{1}{2}$	$\frac{1}{2}$ "
$\frac{3}{4}$	$\frac{3}{4}$ "
1	1"

Table 4

Code	Connection styles
Blank	NPT
F	Flange



25 Harbor Park Drive
 Port Washington, NY 11050
 +1 516 484 3600 telephone
 +1 800 289 7255 toll free US

Visit us on the Web at www.pall.com

Pall Corporation has offices and plants throughout the world. For Pall representatives in your area, please go to www.pall.com/contact.

Please contact Pall Corporation to verify that the product conforms to your national legislation and/or regional regulatory requirements for water and food contact use.

Because of technological developments related to the products, systems, and/or services described herein, the data and procedures are subject to change without notice. Please consult your Pall representative or visit www.pall.com to verify that this information remains valid.

© Copyright 2004, 2011, Pall Corporation. Pall, , and Vari-Seal are trademarks of Pall Corporation. ® indicates a trademark registered in the USA. **Filtration. Separation. Solution.** and **ENABLING A GREENER FUTURE** are service marks of Pall Corporation.