

AquaSep® Plus/PhaseSep® Series Vertical Filter Housings

Description

Pall AquaSep® Plus /PhaseSep® Filter Housings provide a range of standard vessels to complement the Pall AquaSep Plus and PhaseSep liquid/liquid coalescers, two products used to remove water from a wide range of chemicals, fuels, and hydrocarbon streams found in the refinery and process industries. These housings, which are designed with Pall's specially engineered double tube sheet, are available for both the 40- and 60-inch AquaSep Plus and PhaseSep stacks. They can accommodate from one (1) to 104 stacks.

Specifications

- Housings are designed and stamped in accordance with ASME/ANSI BPVC Section VIII.
- Design Ratings
Pressure: 12.1 to 19.7 bar/175 to 285 psig
Temperature: 148.9°C/ 300°F
- Carbon Steel Construction
- Vent and Drain Connections, as well as Pressure Tap Ports
- Automatic Control Options Available

Element Sealing Mechanism

Pall AquaSep Plus/PhaseSep liquid/liquid coalescers are installed within the housing by securing the separator-coalescer stack into the top tube sheet. The stack is engaged into a seal post on the bottom tube sheet (internal O-ring) and engaged into the top tube sheet (external O-ring). A hold-down plate is placed over the top of an installed coalescer-separator stack and secured in place.

Filter Element Selection

The Pall AquaSep Plus/PhaseSep coalescer-separator elements listed in Table 1 have a 3³/₄ in/9.53 cm outer diameter and are available in 20 in/50.8 cm and 40 in/101.6 cm lengths. Please refer to Element Data Sheets GAS-4107 or GAS-4105 for additional information.

Operating Characteristics

All types and grades of AquaSep Plus elements are rated to withstand a maximum temperature of 65.6°C/150°F, while PhaseSep elements withstand a maximum temperature of 148.9°C/300°F in compatible fluids. Both elements have an initial design pressure drop of 2 psid, with a recommended changeout pressure of 15 psid.



Standard AquaSep Plus/PhaseSep Series Housing.

Key Benefits

Combination of these housings with Pall AquaSep Plus/PhaseSep elements provide many benefits, including:

- Lower operating costs
- Lower capital costs (minimized envelope size)
- Lower weight
- Maximum flexibility

Table 1. Pall AquaSep Plus and PhaseSep Elements for Use in AquaSep Plus/PhaseSep Housings

Part Number	Description	Outer Diameter (mm/in)	Length (mm/in)
LCS2B1AH	AquaSep Plus Coalescer	953 /3 ³ / ₄	508 / 20
LCS4B1AH	AquaSep Plus Coalescer	953 /3 ³ / ₄	1016 / 40
LCS2H1AH	PhaseSep Coalescer	953 /3 ³ / ₄	508 / 20
LCS4H1AH	PhaseSep Coalescer	953 /3 ³ / ₄	1016 / 40
LSS2F2H*	PhaseSep Separator	953 /3 ³ / ₄	508 / 20

* PhaseSep and AquaSep Plus coalescers are always connected to a separator in the vertical configuration.

Table 2. Selection Guide*

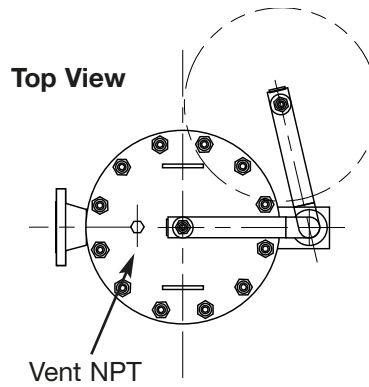
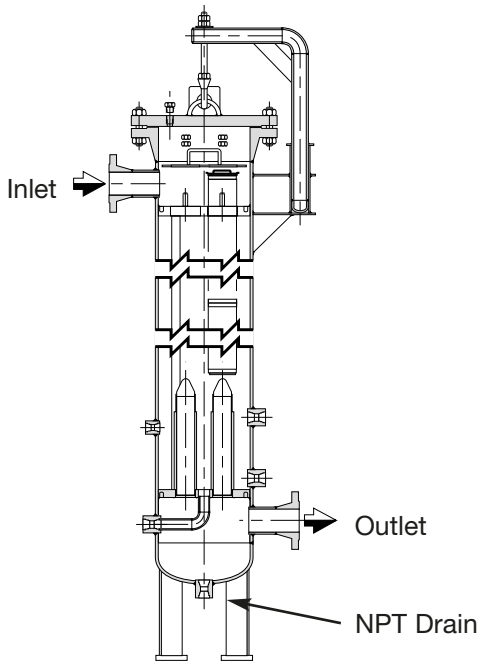
▲ AQ ● ■ F1 285*

Code ▲	Number of Stacks	Code ●	Length of Stack [†] (mm/in)
1	1	L	1016/40
2	2	H	1524/60
4	4		
7	7		
14	14		
31	31		
46	46		
63	63		
104	104		

* All vessels designed at ANSI 150 lb., 19.7 bar/285 psig at 37.8°C/100°F. Additional sizes are available at higher ANSI classes as specials. All vessels greater than 406mm/16in diameter will have a 12.1 bar/175 psig rating.

† Stack length includes coalescer and separator stacks.

Engineering Drawing of a Standard AquaSep Plus/PhaseSep Housing



Code ■	Outer Housing Diameter (mm/in)	Connection (mm/in)
0801	203/8	25/1
0802	203/8	51/2
1202	305/12	51/2
1203	305/12	76/3
1403	356/14	76/3
1404	356/14	102/4
1604	406/16	102/4
1606	406/16	152/6
2404	610/24	102/4
2406	610/24	102/4
2406	660/26	152/6
2606	660/26	152/6
2608	660/26	203/8
3608	914/36	203/8
3610	914/36	254/10
4210	1067/42	254/10
4812	1219/48	305/12
4814	1219/48	356/14
6014	1524/60	356/14



Corporate Headquarters
 2200 Northern Boulevard
 East Hills, New York 11548-1289
 888.873.7255 toll free
 516.484.5400 phone
 516.484.0364 fax
 fuelsandchemicals@pall.com email

United Kingdom
 Europa House, Havant Street
 Portsmouth PO1 3PD
 Hampshire, England
 +44 (0) 23 9230 2357 phone
 +44 (0) 23 9230 2509 fax
 processuk@pall.com email

Visit us on the Web at www.pall.com

Pall Corporation has offices and plants throughout the world in locations including: Argentina, Australia, Austria, Belgium, Brazil, Canada, China, France, Germany, India, Indonesia, Ireland, Italy, Japan, Korea, Malaysia, Mexico, the Netherlands, New Zealand, Norway, Poland, Puerto Rico, Russia, Singapore, South Africa, Spain, Sweden, Switzerland, Taiwan, Thailand, United Kingdom, United States, and Venezuela. Distributors are located in all major industrial areas of the world.

© Copyright 1996, 2006, Pall Corporation. Pall, PALL are trademarks of Pall Corporation. ® Indicates a Pall trademark registered in the USA. Filtration. Separation. Solution.SM is a service mark of Pall Corporation.

Filtration. Separation. Solution.SM